

Backward Fans

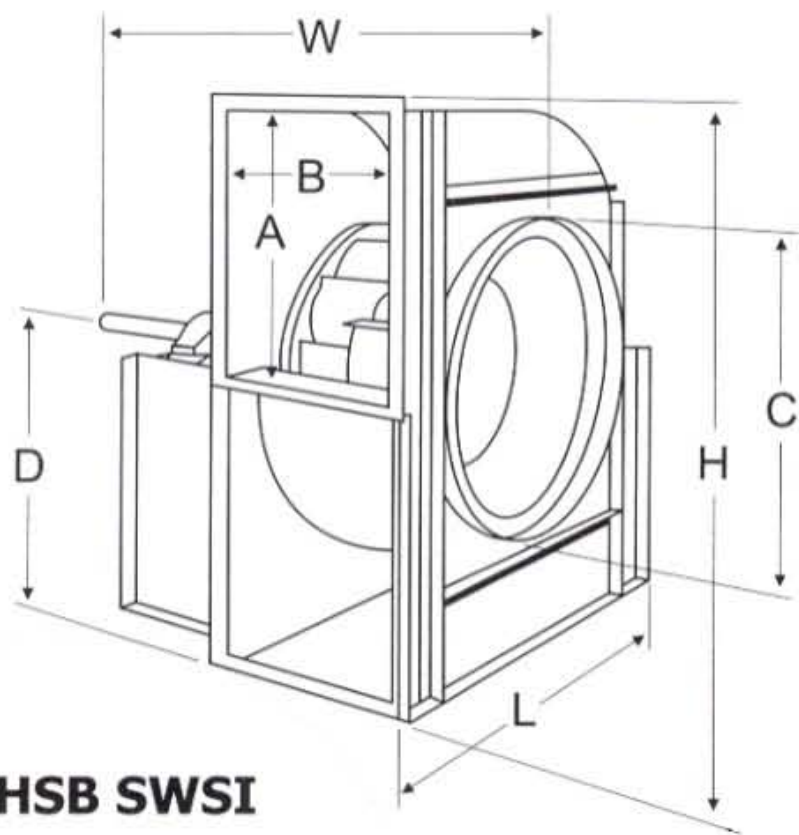
THSB SWSI Dimension Data

Size	A-I.D.	B-I.D.	C-O.D.	D	H	L	w	Frame Size	Approx. Ship. Wt. - Lbs.*
				THD	THD	THD			
120	13-1/8	9-3/16	16-1/4	13	27-3/4	24-1/2	26-1/4	56T	211
135	14-3/4	10-5/16	17-3/4	14	30-3/8	27	27-3/8	145T	266
150	16-7/16	11-7/16	19-1/4	15	32-15/16	29	30-1/2	145T	325
165	18-1/16	12-5/8	21-1/4	17	36-9/16	31-1/2	32-5/8	184T	387
180	19-11/16	13-3/4	22-3/4	18	39-1/4	33-3/4	36-1/4	184T	453
195	21-5/16	14-15/16	24-1/4	20	42-7/8	36-1/4	37-1/2	184T	523
210	23	16-1/16	26	21	45-9/16	41	41-1/8	184T	599
225	24-5/8	17-3/16	27-1/2	23	49-3/16	43	42-1/4	215T	677
245	26-13/16	18-3/4	29-1/2	25	53-1/4	46	46-1/4	256T	786
270	29-9/16	20-5/8	32	27	58	50	48-5/8	284T	931
300	32-13/16	22-15/16	35	30	64-1/4	55-3/8	53-1/2	326T	1118
330	36-1/8	25-1/4	38	33	71	60-3/4	56-1/4	365T	1320
365	39-15/16	27-7/8	41-1/2	36	77-15/16	67	63-1/4	404T	1575
402	44-1/16	30-3/4	45-1/4	40	85-15/16	73-7/8	67-11/16	404T	1858
445	48-11/16	34	49-1/2	44	94-1/2	81-1/2	75-7/16	404T	2223
490	53-5/8	37-7/16	55	48	103-3/8	89-3/4	79-7/16	404T	2636
540	59-1/16	41-1/4	60	53	113-15/16	98-3/4	87-11/16	404T	3190
600	65-5/8	45-13/16	66	59	126-3/8	109-5/8	92-11/16	404T	3852

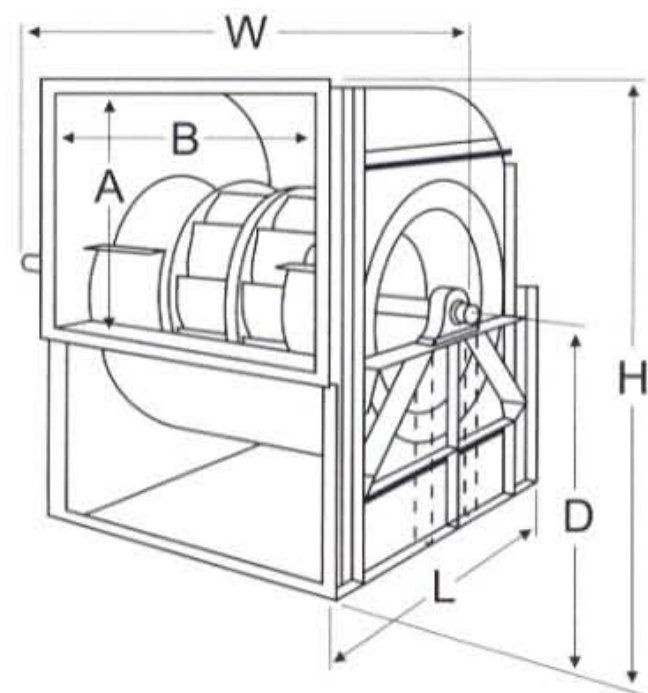
* Class I only. For Class II add 10% . For Class III add 20 %

THDB DWDI Dimension Data

Size	A-I.D.	B-I.D.	D	H	L	w	Approx. Ship. Wt. -Lbs.	
			THD	THD	THD		Class I	Class II
120	12-1/8	17-11/16	13	27-9/16	24-1/2	28-11/16	252	277
135	13-5/8	19-15/16	14	30-3/16	27	30-15/16	346	380
150	15-1/4	22	15	32-13/16	29	34-1/4	444	488
165	16-15/16	24	17	36-7/16	31-1/2	36-1/4	546	600
180	18-1/2	26-1/16	18	39-1/16	33-3/4	38-13/16	652	717
195	19-1/2	28-7/16	20	42-11/16	36-1/4	42-11/16	762	839
210	21-5/8	30-3/8	21	45-3/8	41	44-1/8	877	965
225	23-3/16	32-1/2	23	49	43	46-1/4	996	1096
245	25-1/2	35-1/16	25	53-1/8	46	49-13/16	1161	1277
270	27-1/2	39-7/16	27	57-7/8	50	54-3/16	1378	1515
300	31-3/16	43	30	64-1/8	55-3/8	58-1/2	1653	1818
330	34-1/2	47-1/16	33	70-7/8	60-3/4	63-9/16	1945	2140
365	38-11/16	52-3/16	36	77-3/4	67	69-5/16	2307	2538
402	41-3/4	57-13/16	40	85-3/4	73-7/8	75-11/16	2715	2986
445	45-15/16	64-1/4	44	94-5/8	81-1/2	82-5/8	3220	3543
490	51	70-1/8	48	103-1/4	89-3/4	89-1/2	3787	4165
540	55-3/4	77-15/16	53	113-3/4	98-3/4	98-5/16	4460	4906
600	62-3/16	86-1/4	59	126-1/4	109-5/8	107-1/2	5329	5862



THSB SWSI



THDB DWDI